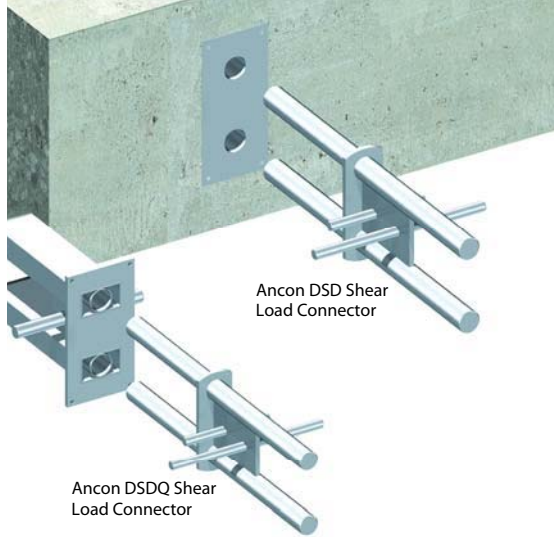


Shear Load Connectors



Ancon shear load connectors transfer load and allow movement to take place at expansion joints in concrete.

Ancon DSD

This is a two-part, double dowel, shear load connector. The dowel component moves longitudinally within the sleeve to accommodate movement. The connector is available in ten standard sizes and can transfer loads from around 20kN to over 450kN.

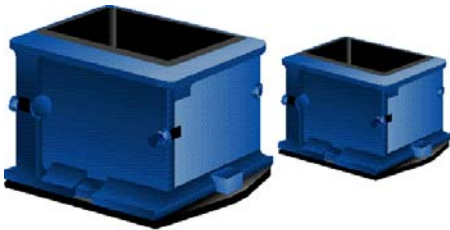
Ancon DSDQ

This shear load connector uses the same dowel component as the Ancon DSD, but the cylindrical sleeve is contained within a rectangular box section to allow lateral movement in addition to the longitudinal movement.

Concrete Testing Products

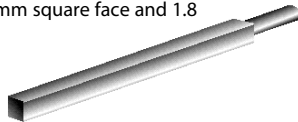
CUBE MOULDS

Cube mould 150mm. 4 part with base
Used to prepare concrete cubes for compressive strength testing



CUBE TAMPING BAR

Steel with 25mm square face and 1.8 kg in weight



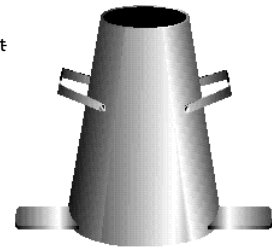
SAMPLING SCOOPS

Scoop, Sampling of Aggregates. 3kg capacity coated steel to BS



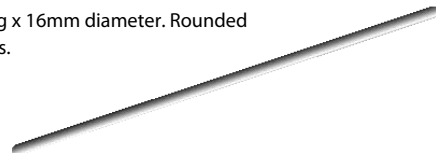
SLUMP CONES

Slump Cone, manufactured from plated steel.
Used to determine the workability/slump of fresh concrete



SLUMP CONES TAMPING ROD

600mm long x 16mm diameter. Rounded at both ends.



CURING TANK

Curing Tank Medium made from heavy duty plated steel. Supplied complete with bottom rack, heater, thermostat, and drain tap. 110 volts

