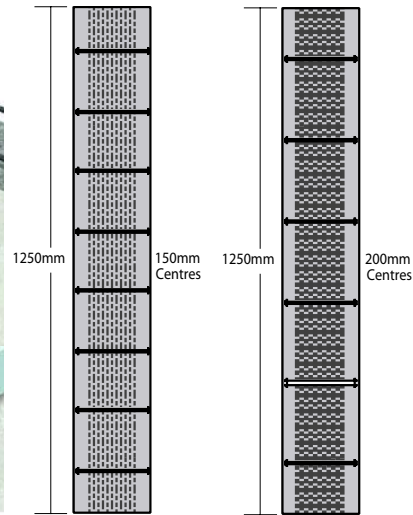
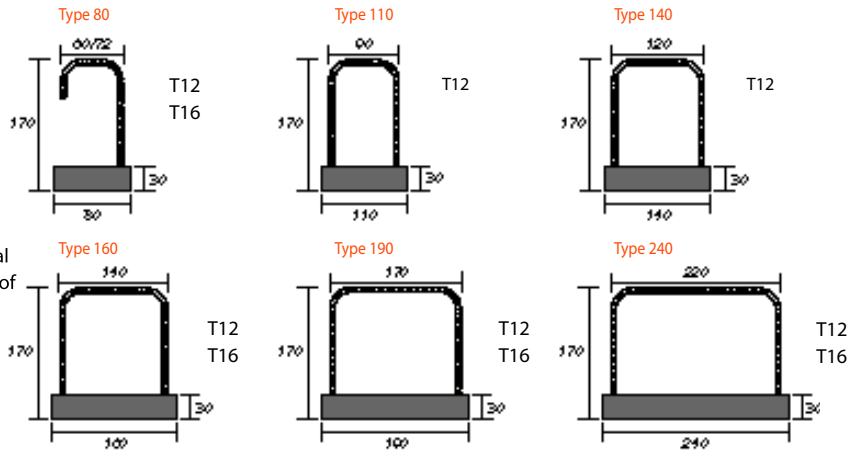
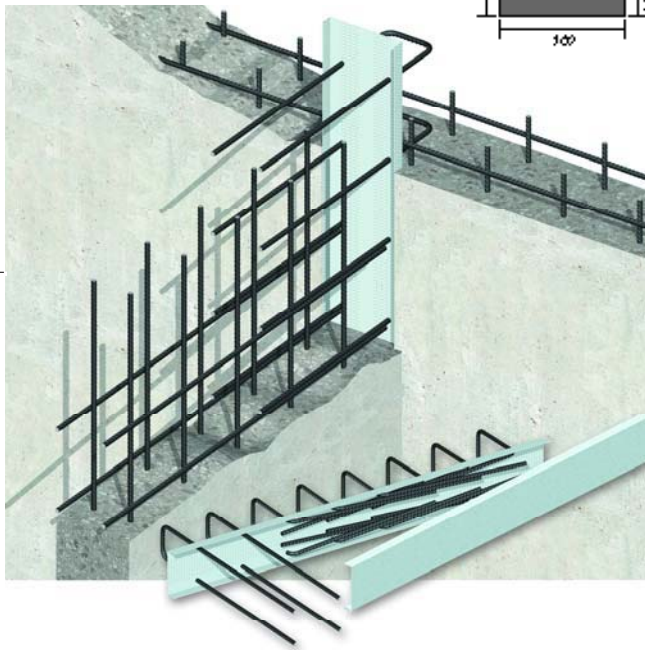


# Rebar Connection System

## REINFORCEMENT CONTINUITY SYSTEM

Reinforcement continuity systems maintain continuity of reinforcement at construction joints in concrete.

This easy to use system accelerates the construction process. It is simple to install and offers many benefits over conventional joint construction including simplification of formwork design and the removal of the need to drill shuttering.



Note: Boxes containing 16mm bars are nominally 40mm deep. On 16mm Ø Type U boxes, the stirrup may be achieved using two shape code 21 bars.

## Standard & Special Types

